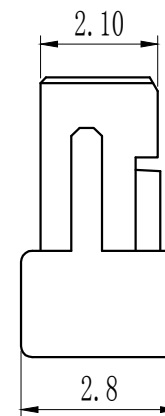
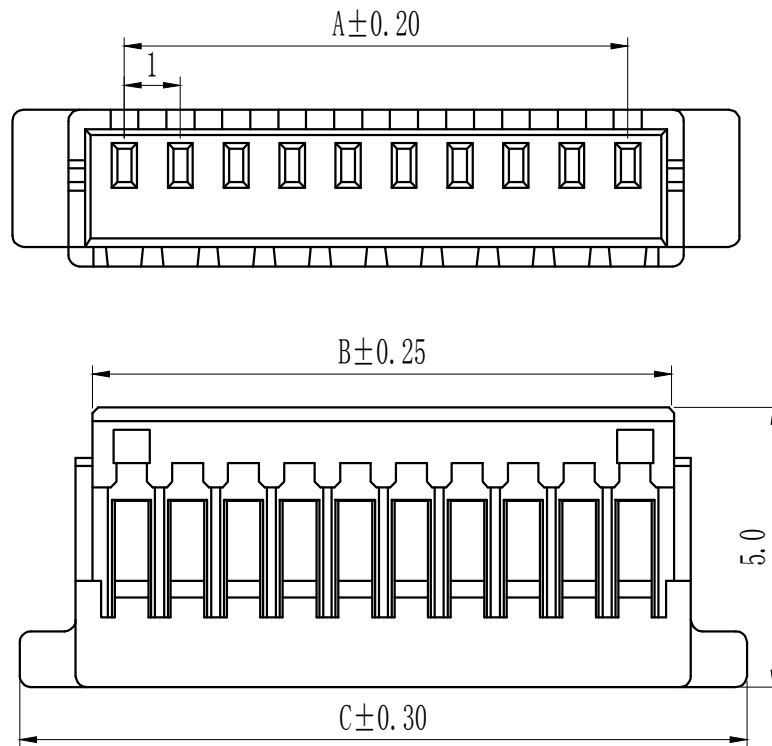


Pin数	尺寸A	尺寸B	尺寸C
2	1.00	2.40	5.00
3	2.00	3.40	6.00
4	3.00	4.40	7.00
5	4.00	5.40	8.00
6	5.00	6.40	9.00
7	6.00	7.40	10.00
8	7.00	8.40	11.00
9	8.00	9.40	12.00
10	9.00	10.40	13.00
11	10.00	11.40	14.00
12	11.00	12.40	15.00
13	12.00	13.40	16.00
14	13.00	14.40	17.00
15	14.00	15.40	18.00
16	15.00	16.40	19.00
17	16.00	17.40	20.00
18	17.00	18.40	21.00
19	18.00	19.40	22.00
20	19.00	20.40	23.00



技术参数 SPECIFICATIONS

- ◆适用线规: AWG#28~#32
Applicable Wire: AWG#28~#32
- ◆额定电压: 50V DC, AC(rms)
Rated voltage: 50V DC, AC(rms)
- ◆额定电流: 1A(AWG #28)
Rated Current: 1A(AWG #28)
- ◆耐压值: 500V AC/minute
Withstand voltage: 500V AC/min
- ◆工作温度: -25°C~+85°C
Working Temp:-25°C~+85°C
- ◆绝缘电阻: 100MΩ Min
Insulation resistance: ≥100MΩ
- ◆接触电阻: ≤20mΩ
Contact resistance: ≤20mΩ

材料 MATERIAL

- ◆绝缘体: 尼龙9T, UL94-V0
Insulator: Nylon9T, UL94-V0

TOLERANCE:

X. ±XXX

.X ±0.20

.XX ±0.10

ANG.



上海狮拓电子科技有限公司

产品名称:

产品料号:

THIRD ANGLE PROJECTION



签名 _____

日期 _____

审核 _____

日期 _____

客户确认

承认 _____ 日期 _____

驳回 _____ 日期 _____

1. 0T-1 (SH)-NY