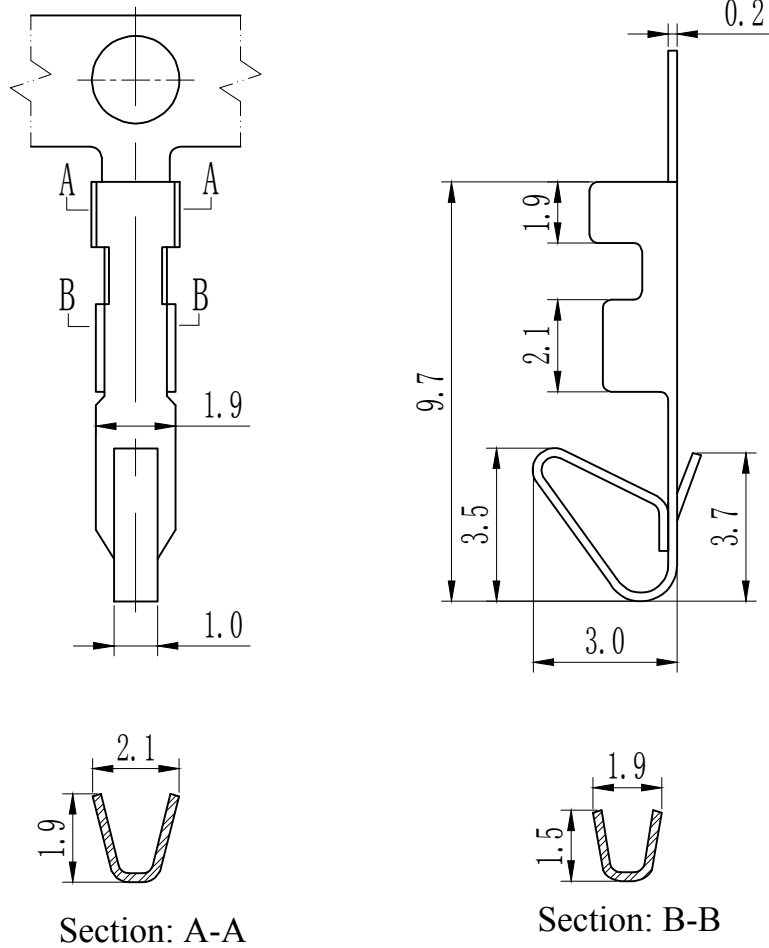


A
B
C
D
E
F
G
H
I



NOTE:

1. MATERIAL: Phosphor Bronze, JIS C25191R-H, HV 200° ±5°
T=0.20mm
2. Along any portion of strip, allowable camber is 0.04mm per 1000mm length max. And allowable twist is 45° per 1000mm length max.
3. All corners and radii have a maximum Radius of 0.1mm unless otherwise specified.

TOLERANCE:

X. ±XXX

.X ±0.20

.XX ±0.10

ANG.



上海狮拓电子科技有限公司

產品名稱:

產品料號:

THIRD ANGLE PROJECTION



簽名 _____

日期 _____

審核 _____

日期 _____

客戶確認

承認 _____ 日期 _____

駁回 _____ 日期 _____

2510-T