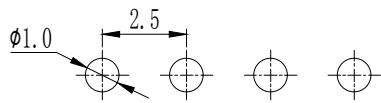
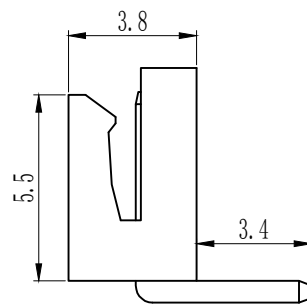
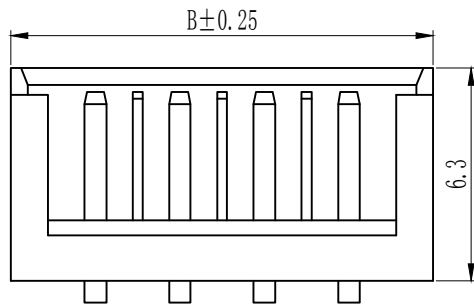
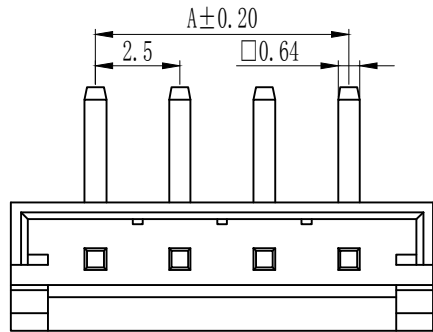


A
B
C
D
E
F
G
H
I

Pin数	尺寸A	尺寸B
2	2.50	7.50
3	5.00	10.00
4	7.50	12.50
5	10.00	15.00
6	12.50	17.50
7	15.00	20.00
8	17.50	22.50
9	20.00	25.00
10	22.50	27.50
11	25.00	30.00
12	27.50	32.50
13	30.00	35.00
14	32.50	37.50
15	35.00	40.00



P. C. B LAYOUT

技术参数 SPECIFICATIONS

- ◆间距: 2.5 Pitch:2.5
- ◆适用线规: AWG#22-#28
Applicable Wire:AWG#22-#28
- ◆额定电压: AC,DC, 250V (有效值)
Voltage rating: AC, DC, 250V(rms)
- ◆额定电流: 2.5A, AC, DC (AWG#22)
Current rating:2.5A, AC, DC (AWG#22)
- ◆耐压值: 800V AC/minute
Withstand voltage:800V AC/minute
- ◆工作温度: -25℃~+85℃
Working Temp:-25℃~+85℃
- ◆绝缘电阻: ≥1000MΩ
Insulation resistance:≥1000MΩ
- ◆接触电阻: ≤10mΩ
Contact resistance:≤10mΩ

材料 MATERIAL

- ◆绝缘体: 尼龙66, UL94-V0
Insulator:Nylon66 UL94-V0
- ◆接触针: 黄铜
Contact PIN:Brass

TOLERANCE:

X. ±XXX

.X ±0.20

.XX ±0.10

ANG.



上海狮拓电子科技有限公司

产品名称:

产品料号:

THIRD ANGLE PROJECTION



签名 _____

日期 _____

审核 _____

日期 _____

客户确认

承认 _____ 日期 _____

取回 _____ 日期 _____

EH-NAW