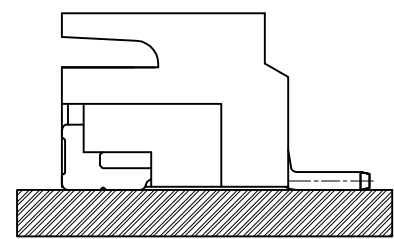
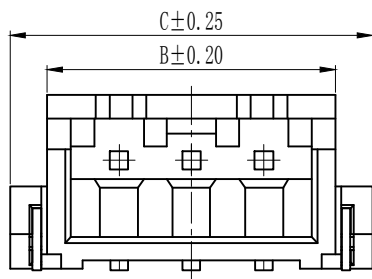
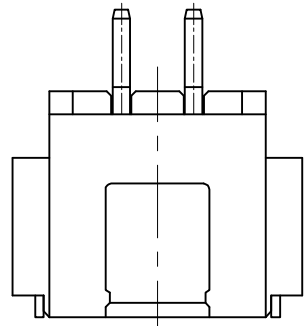
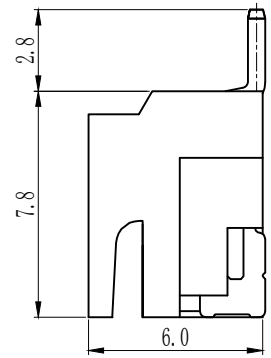
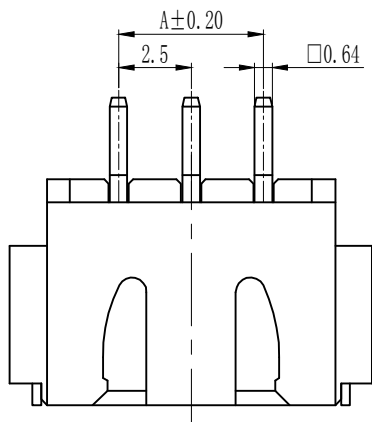


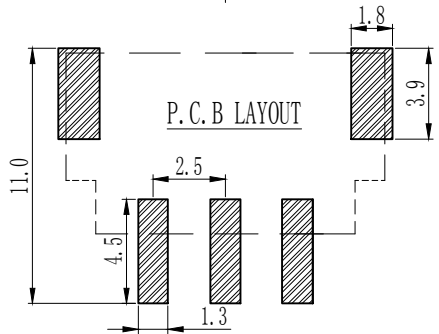
Pin数	尺寸A	尺寸B	尺寸C
2	2.50	7.45	10.00
3	5.00	9.95	12.50
4	7.50	12.45	15.00
5	10.00	14.95	17.50
6	12.50	17.45	20.00
7	15.00	19.95	22.50
8	17.50	22.45	25.00
9	20.00	24.95	27.50
10	22.50	27.45	30.00
11	25.00	29.95	32.50
12	27.50	32.45	35.00
13	30.00	34.95	37.50
14	32.50	37.45	40.00
15	35.00	39.95	42.50
16	37.50	42.45	45.00



Assembly Layout



2P样式



技术参数 SPECIFICATIONS

- ◆间距: 2.5 Pitch:2.5
- ◆适用线规: AWG#22-#28
Applicable Wire:AWG#22-#28
- ◆额定电压: AC, DC, 250V (有效值)
Voltage rating: AC, DC, 250V(rms)
- ◆额定电流: 2.5A, AC, DC (AWG#22)
Current rating:2.5A, AC, DC (AWG#22)
- ◆耐压值: 800V AC/minute
Withstand voltage:800V AC/minute
- ◆工作温度: -25℃~+85℃
Working Temp:-25℃~+85℃
- ◆绝缘电阻: ≥1000MΩ
Insulation resistance:≥1000MΩ
- ◆接触电阻: ≤10mΩ
Contact resistance:≤10mΩ

材料 MATERIAL

- ◆绝缘体: 尼龙66, UL94-V0
Insulator:Nylon66 UL94-V0
- ◆接触针: 黄铜
Contact PIN:Brass

TOLERANCE:
X. ±XXX
.X ±0.20
.XX ±0.10
ANG.

STO 上海狮拓电子科技有限公司

产品名稱: _____

产品料號: _____

THIRD ANGLE PROJECTION

簽名 _____	客戶確認
日期 _____	
審核 _____	
日期 _____	
<input type="checkbox"/> 承認 _____ 日期 _____	
<input type="checkbox"/> 駁回 _____ 日期 _____	

XH-WT-NA