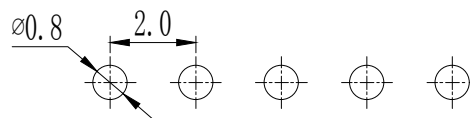
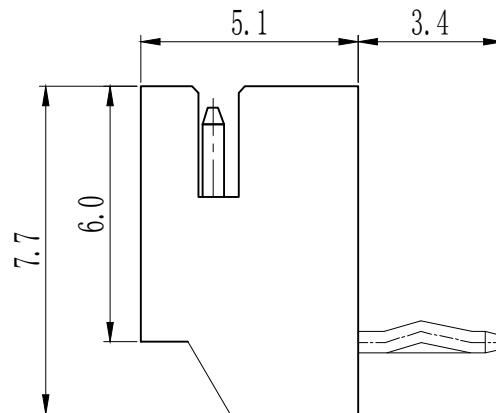
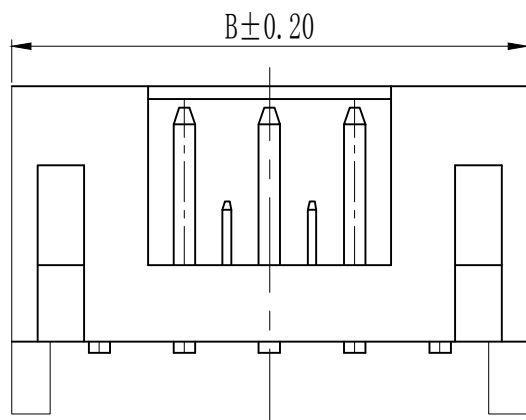
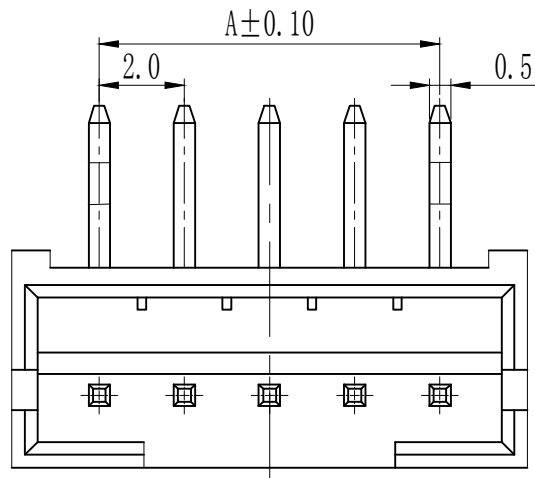


| Pin数 | 尺寸A   | 尺寸B   |
|------|-------|-------|
| 2    | 2.00  | 6.10  |
| 3    | 4.00  | 8.10  |
| 4    | 6.00  | 10.10 |
| 5    | 8.00  | 12.10 |
| 6    | 10.00 | 14.10 |
| 7    | 12.00 | 16.10 |
| 8    | 14.00 | 18.10 |
| 9    | 16.00 | 20.10 |
| 10   | 18.00 | 22.10 |
| 11   | 20.00 | 24.10 |
| 12   | 22.00 | 26.10 |
| 13   | 24.00 | 28.10 |
| 14   | 26.00 | 30.10 |
| 15   | 28.00 | 32.10 |
| 16   | 30.00 | 34.10 |



P. C. B LAYOUT

技术参数 SPECIFICATIONS

- ◆间距: 2.0 Pitch:2.0
- ◆适用线规: AWG#24-#32  
Applicable Wire:AWG#24-#32
- ◆额定电压: AC, DC, 100V (有效值)  
Voltage rating: AC, DC, 100V(rms)
- ◆额定电流: 2A, AC, DC (AWG#24)  
Current rating:2A, AC, DC (AWG#24)
- ◆耐压值: 800V AC/minute  
Withstand voltage:800V AC/minute
- ◆工作温度: -25℃~+85℃  
Working Temp:-25℃~+85℃
- ◆绝缘电阻: ≥1000MΩ  
Insulation resistance:≥1000MΩ
- ◆接触电阻: ≤10mΩ  
Contact resistance:≤10mΩ

材料 MATERIAL

- ◆绝缘体: 尼龙66, UL94-V0  
Insulator:Nylon66 UL94-V0
- ◆接触针: 黄铜  
Contact PIN:Brass

TOLERANCE:

X. ±XXX

.X ±0.20

.XX ±0.10

ANG.



上海狮拓电子科技有限公司

产品名称:

产品料号:

THIRD ANGLE PROJECTION



签名 \_\_\_\_\_

日期 \_\_\_\_\_

审核 \_\_\_\_\_

日期 \_\_\_\_\_

客户确认

承認 \_\_\_\_\_ 日期 \_\_\_\_\_

取回 \_\_\_\_\_ 日期 \_\_\_\_\_

PH-NAWD(打K)