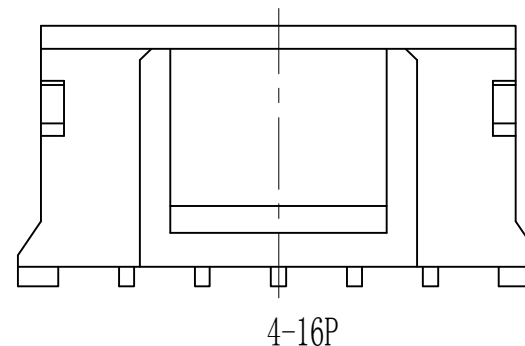
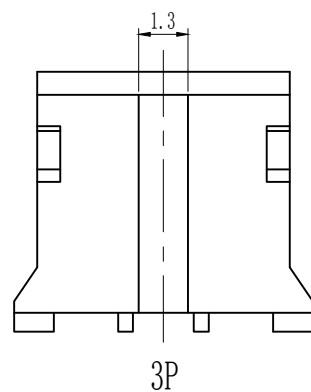
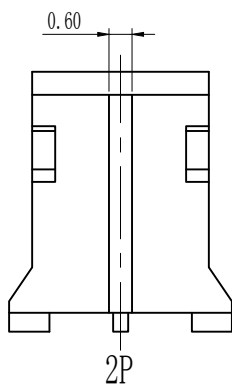
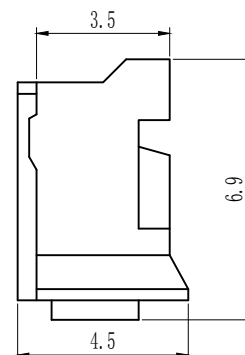
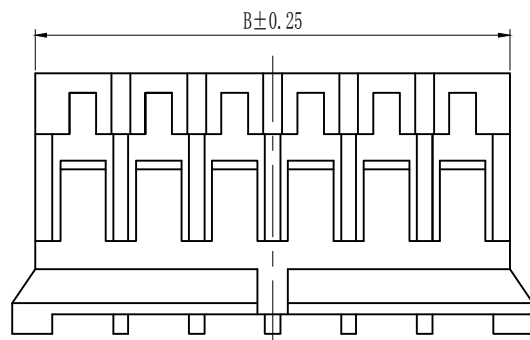
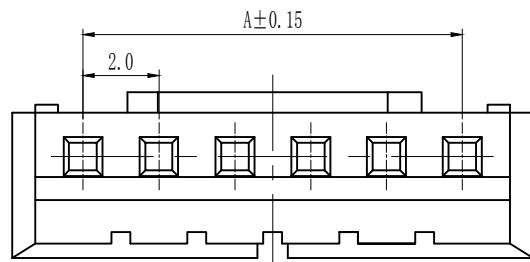


A
B
C
D
E
F
G
H
I

Pin数	尺寸A	尺寸B
2	2.00	4.60
3	4.00	6.60
4	6.00	8.60
5	8.00	10.60
6	10.00	12.60
7	12.00	14.60
8	14.00	16.60
9	16.00	18.60
10	18.00	20.60
11	20.00	22.60
12	22.00	24.60
13	24.00	26.60
14	26.00	28.60
15	28.00	30.60
16	30.00	32.60



技术参数 SPECIFICATIONS

- ◆间距: 2.0 Pitch:2.0
- ◆适用线规: AWG#24-#30
Applicable Wire:AWG#24-#30
- ◆额定电压: AC, DC, 100V (有效值)
Voltage rating: AC, DC, 100V (rms)
- ◆额定电流: 2A, AC, DC (AWG#24)
Current rating: 2A, AC, DC (AWG#24)
- ◆耐压值: 800V AC/minute
Withstand voltage: 800V AC/minute
- ◆工作温度: -25°C~+85°C
Working Temp: -25°C~+85°C
- ◆绝缘电阻: ≥1000MΩ
Insulation resistance: ≥1000MΩ
- ◆接触电阻: ≤10mΩ
Contact resistance: ≤10mΩ

材料 MATERIAL

- ◆绝缘体: 尼龙66, UL94-V2
Insulator: Nylon66 UL94-V2

TOLERANCE:

X. ±XXX

.X ±0.20

.XX ±0.10

ANG.



上海狮拓电子科技有限公司

产品名称:

产品料号:

THIRD ANGLE PROJECTION



签名 _____

日期 _____

审核 _____

日期 _____

客户确认

承认 _____ 日期 _____

取回 _____ 日期 _____

PH-NY