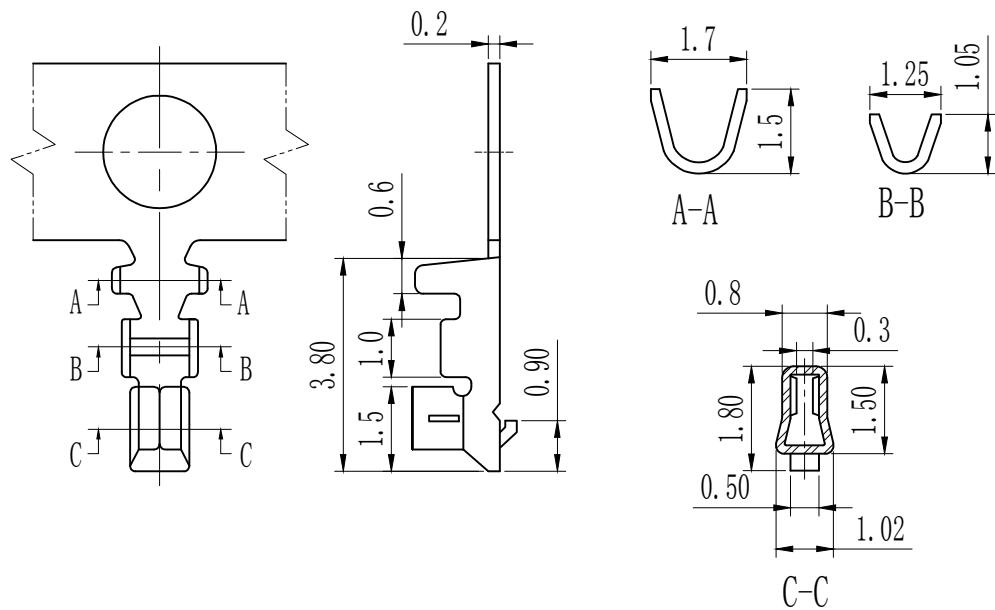


A  
B  
C  
D  
E  
F  
G  
H  
I



NOTE: UNLESS OTHERWISE SPECIFIED

- ◆ 1. MATERIAL P/N:  
Phosphor Bronze C5210R-SH T=0.2mm
- ◆ 2. DIM. MARKED .... TO BE CHECKED BY QC
- ◆ 3. MATING WITH: 1.5T-1-NY

Specification & ordering Information

Part No	Wire Range	Insulation O.D	Material	Finish
1.5T-1-T	AWG #26-#32	0.90mm(MAX)	Phosphor bronze	Tin-Plated

TOLERANCE:

X. ±XXX

.X ±0.20

.XX ±0.10

ANG.



上海狮拓电子科技有限公司

產品名稱:

產品料號:

THIRD ANGLE PROJECTION



簽名 \_\_\_\_\_

日期 \_\_\_\_\_

審核 \_\_\_\_\_

日期 \_\_\_\_\_

客戶確認

承認 \_\_\_\_\_ 日期 \_\_\_\_\_

駁回 \_\_\_\_\_ 日期 \_\_\_\_\_

1.5T-1-T