

ROHS

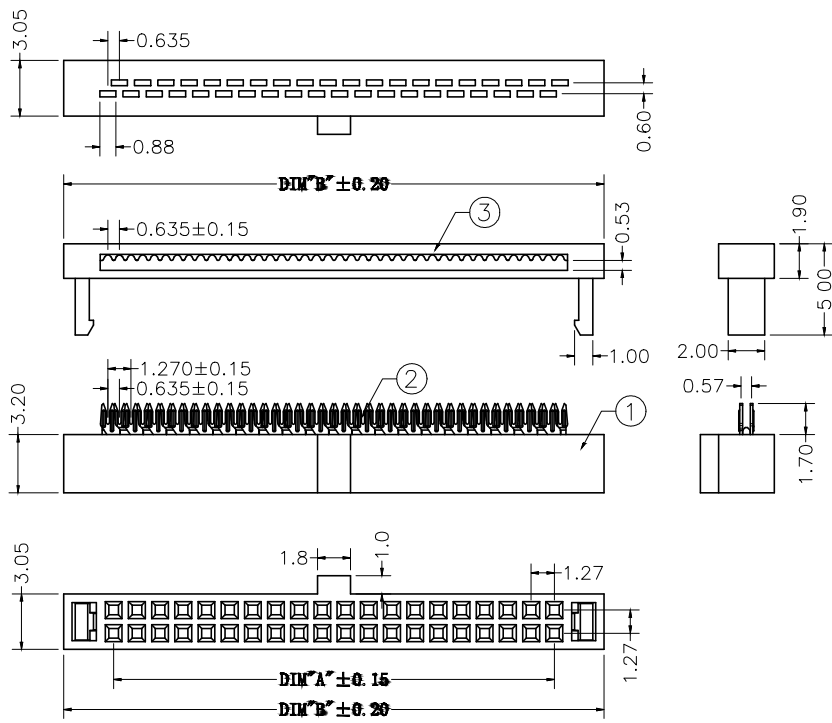
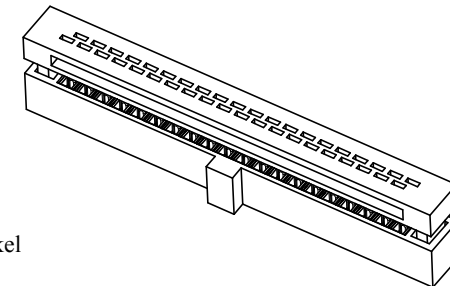
ST0-C0-033

■ Specifications(规格) :

- Current rating(额定电流): 1.0A AC / DC
- Withstanding voltage(耐压值): 500V AC/minute
- Temperature range(工作温度): -40°C~+105°C
- Insulation resistance(绝缘电阻): ≥1000MΩ
- Contact resistance(接触电阻): ≤20mΩ
- Voltage Rating: 250V AC,DC

■ I DC

- Part No. (料号) : 4127IYXXBKPTV01
- Poles (PIN数) :06-80P
- Material (材质) :PBT + Glass Fiber (UL94V-0).
Pin针:Phosphor Bronze (磷青铜)
Finish (电镀) :Gold Plated Over Nickel



4127 I Y XX BK PT V01- X
① ② ③ ④ ⑤ ⑥ ⑦ ⑧

- ① Series No. (系列号)
- ② Category (类别): I-DC
- ③ External morphology (外部形态):
Y - With Convex(带凸) N - With Out Convex(无凸)
- ④ No.of Circuits(数目电路):
XX -No.of Circuits(0 6 - 8 0)
- ⑤ Color(颜色) :
B KBlack(黑色) Gray(灰色)
- ⑥ Material(材料):
6 T - P A 6 T 9 T - P A 9 T 4 6 - P A 4 6 L P - L C P
Ts-Other(其它)
- ⑦ Plating Code(镀层代码): G *(Gilded)镀金 V**Gold plated(镀全金)
H* *Gold(镀半金)
* 0 1 - 1 U " * 0 2 - 2 U " * 0 3 - 3 U " * 0 5 - 5 4 U "
* 1 0 - 1 0 U " * 1 5 - 1 5 U " * 3 0 - 3 0 U " * 5 0 - 5 4 U "
N Nickel plated(镀镍) (3 0 - 5 0 U ")
S N Bright tin plating (镀亮锡) (7 0 - 1 2 0 U ")
S N Bright tin plating(镀亮锡)(1 2 0 U " M i n .)
S WMatte tin plating(镀雾锡) HHigh temp erature tin plating(高温锡)
- ⑧ Space and special codes(空PIN位置及特殊码):

NUMBER OF POSITIONS	DIMENSION	
	A	B
06	2.54	8.00
08	3.81	9.27
10	5.08	10.54
12	6.35	11.81
14	7.62	13.08
16	8.89	14.35
20	11.43	16.89
24	13.97	19.43
26	15.24	20.70
30	17.78	23.24
34	20.32	25.78
40	24.13	29.59
44	26.67	32.13
50	30.48	35.94
60	36.83	42.29
64	39.37	44.83
66	40.64	46.10
68	41.91	47.37
70	43.18	48.64
74	45.72	51.18
76	46.99	52.45
80	49.53	54.99

TOLERANCE:

X.	±XXX
.X	±0.20
.XX	±0.10
ANG.	

STO 上海狮拓电子科技有限公司

產品名稱: _____

產品料號: _____

THIRD ANGLE PROJECTION

簽名 _____

日期 _____

審核 _____

日期 _____

客戶確認

承認 _____ 日期 _____

駁回 _____ 日期 _____

4127IYXXBKPTV01

XXP 1.27x1.27mm HFC二件有凸全金IU