

R O H S

页码	文件编号
1 OF 1	ST0-CD-130

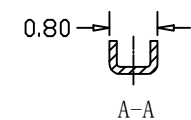
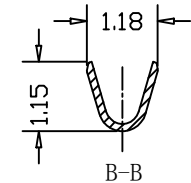
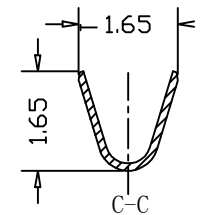
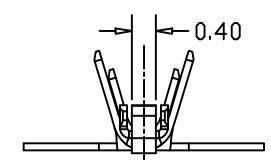
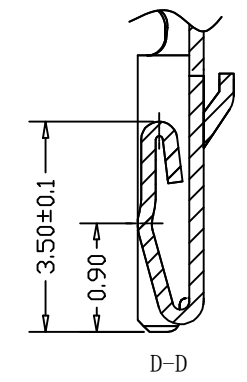
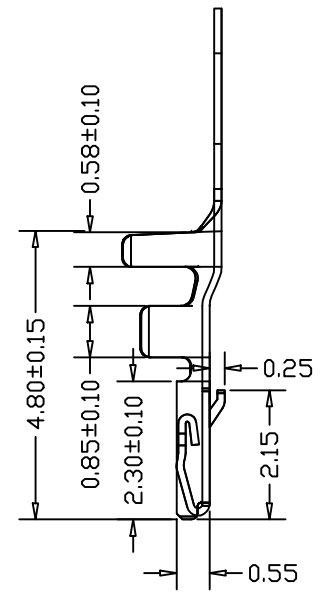
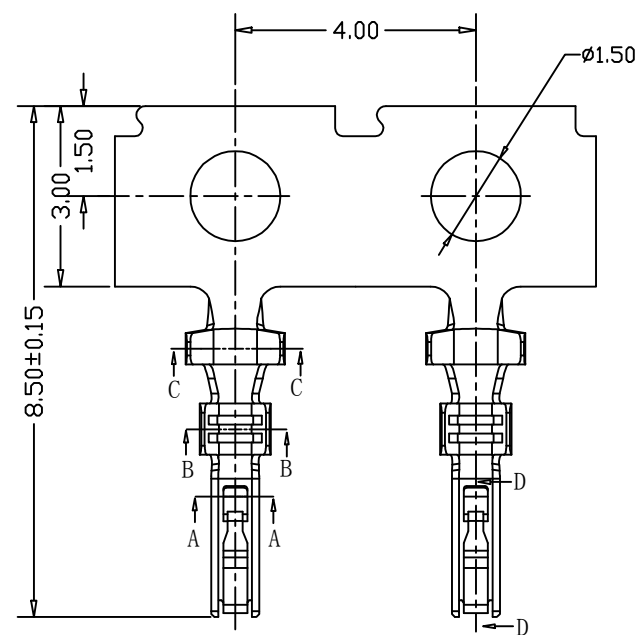
Specifications:

- Voltage rating: 125V AC/DC
- Current rating: 1.0A AC/DC
- Withstanding voltage: 500V AC/minute
- Temperature range: -25° C ~ +85° C
- Insulation resistance:  $\geq 100M\Omega$
- Contact resistance:  $\leq 20m\Omega$
- Wire range: AWG #26-#30
- Terminal material: Phosphor bronze
- Finish: Tin-Plated

8125 T 1 1 3 9 002

① ② ③ ④ ⑤ ⑥ ⑦

- ① Series:
- ② Terminal Type: 1-First
- ③ Terminal material: 1-Phosphor bronze
- ④ Plating method: 3 bright tin plating
- ⑤ Finish specification: 9-70 ~ 120 U"
- ⑥ Special code:



TOLERANCE:
X. ±XXX
.X ±0.20
.XX ±0.10
ANG.



上海狮拓电子科技有限公司

产品名称  
产品料号

THIRD ANGLE PROJECTION

签名  
日期  
审核  
日期

客户确认  
 承認 \_\_\_\_\_ 日期 \_\_\_\_\_  
 取回 \_\_\_\_\_ 日期 \_\_\_\_\_

8125T1139002  
1.25mm Terminal Plated Bright Tin