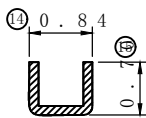
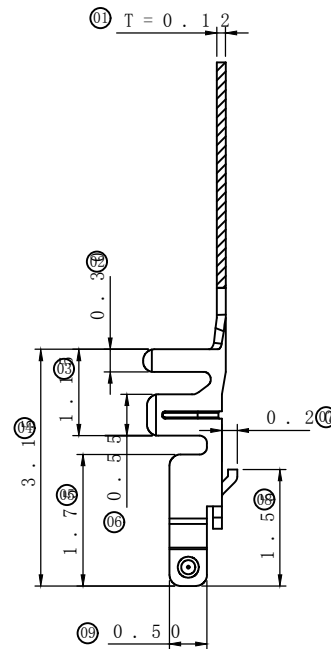
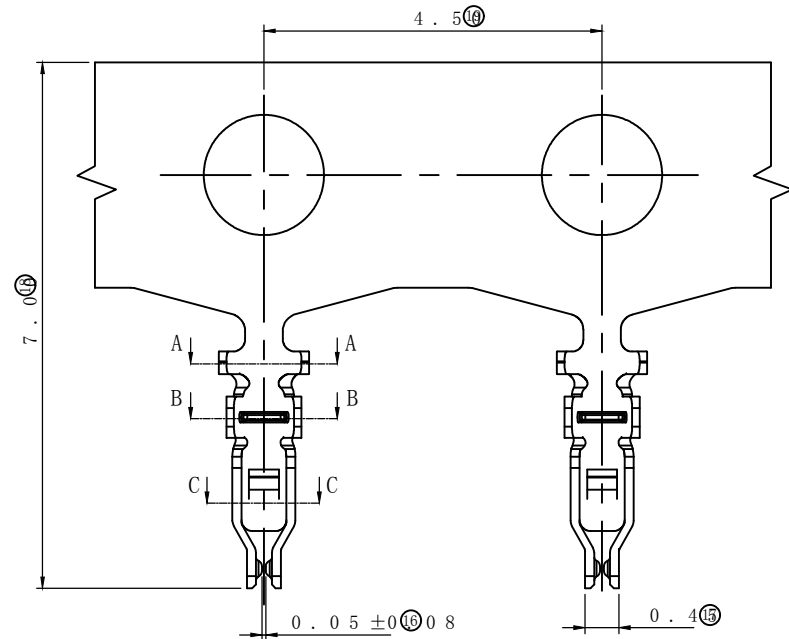
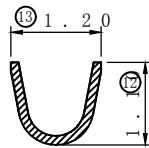


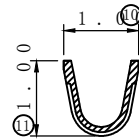
ROHS



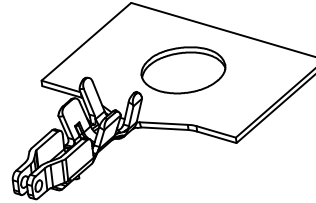
SECTION C-C
SCALE 1:1



SECTION A-A
SCALE 1:1



SECTION B-B
SCALE 1:1



Specifications:

- Voltage rating: 50V AC/DC
- Current rating: 1.5A AC/DC
- Withstanding voltage: 500V AC/minute
- Temperature range: -25° C ~ +85° C
- Insulation resistance: ≥100MΩ
- Contact resistance: ≤20mΩ
- After environmental testing: ≤40mΩ
- Wire range: AWG #28-#30 OD:0.5-0.6mm
- Terminal material: Phosphor bronze
- Finish: Gold flash over Nickel
- Package: 15000pcs/reel

页码	文件编号
1 OF 1	STO-CO

8120 T 1 1 1 1 000
① ② ③ ④ ⑤ ⑥ ⑦

- ① Series:
- ② Terminal
- ③ Terminal Type: 1-First
- ④ Terminal material:
1-Phosphor bronze
- ⑤ Plating method:
1-Gold-plated
- ⑥ Finish specification:
1-1U"
- ⑦ Special code:

TOLERANCE:

X.	±XXX
.X	±0.20
.XX	±0.10
ANG.	



上海狮拓电子科技有限公司

产品名称:
产品料号:

THIRD ANGLE PROJECTION

签名 _____
日期 _____
审核 _____
日期 _____

客户确认

承认 _____ 日期 _____
 驳回 _____ 日期 _____

8120T1111000

1.2mm Crimp Terminal Plated Gold