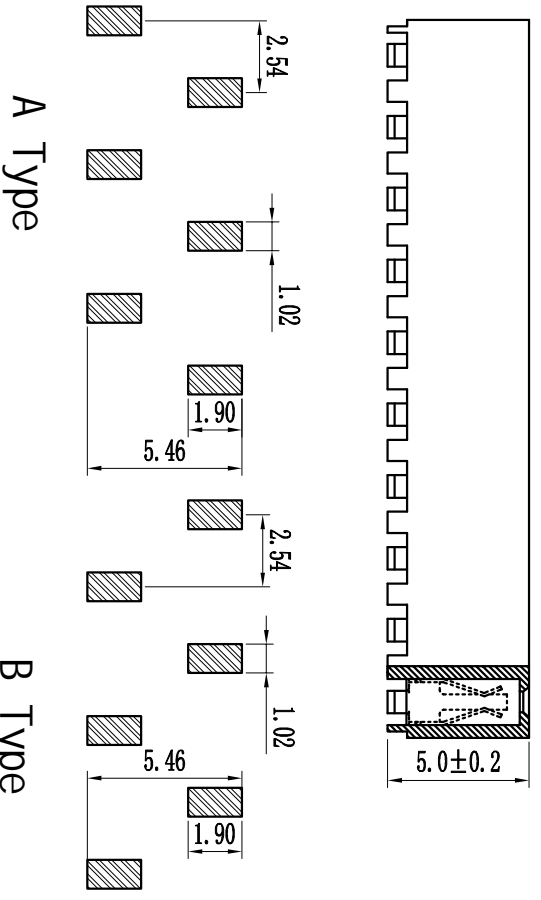
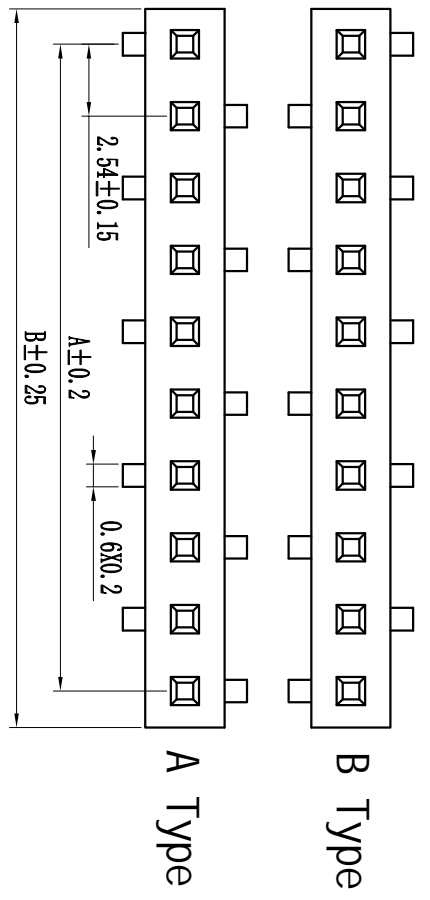


Pin#	尺寸A	尺寸B
1x3	5.08	10.16
1x4	7.62	12.70
1x5	10.16	15.24
1x6	12.70	17.78
1x7	15.24	20.32
1x8	17.78	22.86
1x9	20.32	25.40
1x10	22.86	27.94
1x11	25.40	30.02
1x12	27.94	33.02
1x13	30.48	35.56
1x14	33.02	38.10
1x15	35.56	40.64
1x16	38.10	43.18
1x17	40.64	45.72
1x18	43.18	48.26
1x19	45.72	50.80
1x20	48.26	53.34
1x21	50.80	55.88
1x22	53.34	58.42
1x23	55.88	60.96
1x24	58.42	63.50
1x25	60.96	66.04
1x26	63.50	68.58
1x27	66.04	71.12
1x28	68.58	73.66
1x29	71.12	76.20
1x30	73.66	78.74
1x31	76.20	81.28
1x32	78.74	83.82
1x33	81.28	86.36
1x34	83.82	88.90
1x35	86.36	91.44
1x36	88.90	93.98
1x37	91.44	96.52
1x38	93.98	99.06
1x39	96.52	101.60
1x40	99.06	104.14



F		a-10-1-2-5p-a-a-s-D-0	
焊脚类别	间距	焊脚	间距
a-1 0.0mm	1-单排	1-单排	1"00/50"
b-1 1.27mm	2-双排	2-双排	2"00/50"
c-1 2.54mm	3-三排	3-三排	3"00/50"
d-2 0.0mm	4-四排	4-四排	4"00/50"
f-2 0.5mm			
f-3 0.5mm			
h-5 0.0mm			
焊脚类别	间距	焊脚	间距
a-1 0.0mm	1-单排	1-单排	1"00/50"
b-1 1.27mm	2-双排	2-双排	2"00/50"
c-1 2.54mm	3-三排	3-三排	3"00/50"
d-2 0.0mm	4-四排	4-四排	4"00/50"
f-2 0.5mm			
f-3 0.5mm			
h-5 0.0mm			

技术规范:
 额定电流 : 3AMP
 适用温度 : -40°C to +105°C
 接触电阻 : 20mΩ Max
 绝缘电阻 : 1000MΩ Min
 耐电压 : AC 1000V
 绝缘材料 : Polyester (UL94V-0)
 Standard: PBT
 端子材质 : Bronze
 电镀规范 : Au or Sn Over 50u" Ni



TOLERANCE:
 X ±.00X
 X ±0.20
 XX ±0.10
 ANG.

STO 上海狮拓电子科技有限公司

THIRD ANGLE PROJECTION

客户确认
 姓名: _____ 日期: _____
 日期: _____ 日期: _____
 日期: _____ 日期: _____

2.54mm单排母, 错位5.0mm 1型端子
 Spec: 2.54mm Female Header, Single Row, SMT
 Positions: 1X2"1X40
 Plastics Height: 5.0mm